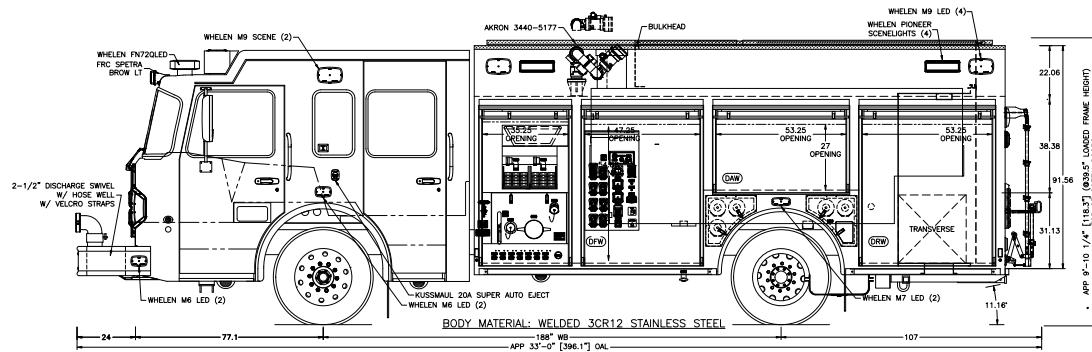
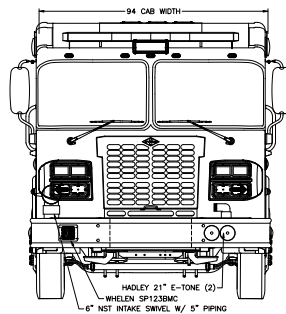
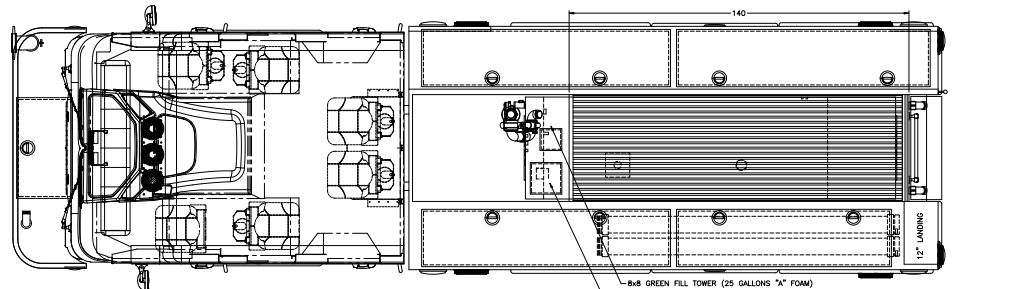


TREADBRITE TEXTURE NOT SHOWN IN TOP VIEW

REFERENCE SCALE IN INCHES

COMP.	HEIGHT	WIDTH	USABLE DEPTH		DIVIDE	FT
			UPPER	LOWER		
DFW	67.12	53.88	25	25	25	54.41
DAW	37.12	53.75	-	26	-	35.61
DRW	67.12	53.00	-	26	-	55.53
DFW	67.12	53.88	-	26	-	54.41
PAW	37.12	36.75	-	26	-	20.52
PRW	67.12	55.00	-	26	-	54.95
R	69.62	44.00	-	30	-	53.18
DR COFFIN	20.5	26	-	214	-	65.00
HOSEBED	18	44	-	140	-	62.00
FRONT XRAY	8.12	10	-	94	-	4.41
REAR XRAY	8.12	10	-	94	-	4.41



NOTE:
DIMENSIONS SHOWN ARE APPROXIMATE AND ARE SUBJECT TO MINOR CHANGE AS MAY BE FOUND NECESSARY DURING CONSTRUCTION. MINOR DETAILS MAY NOT BE SHOWN. IF DISCREPANCIES EXIST BETWEEN THIS DRAWING AND THE WRITTEN SPECIFICATIONS PROVIDED BY TOYNE, THE WRITTEN SPECIFICATIONS SHALL PREVAIL.

ORIGINAL DRAWING	30JAN20	CHASSIS:	SPARTAN METROSTAR EMFD 10" RR	SCALE:	1/66	SHEET:	A
AS BUILT - RICK	21DEC21	WB-CA-AF:	188"-128"-47" D16	CITY:	--	STATE:	--
		BODY MATL:	WELDED STAINLESS STEEL	DLR:	--	CAD:	GROSSMAN
		PUMP:	HALE QMAX 1750	DATE:	30 JAN 2020	FILE:	12810PRVM-A
		TANK:	1000/25 UPF POLY-TANK III				
		FOAM SYSTEM:	FOAM PRO 2001 "A"				
		GENERATOR:	N/A				

Toyne
Built to take the call.

PRV
CUSTOM PUMPER

BREDA, IA 51436
800-648-3358
WWW.TOYNE.COM

Quotation

Description

VEHICLE

0100-011	MODEL	Metro Star
8012-019	CUSTOMERS / OEMS	Toyne (TOY1000)[1002914]
8011-020	MODEL YEAR	Model Year - 2020
8001-001	COUNTRY OF SERVICE	Country of Service United States Of America
8017-001	CAB AND CHASSIS LABELING LANGUAGE	Cab and Chassis Labeling Language English
8006-009	APPARATUS TYPE	Apparatus Type Pumper
8008-001	VEHICLE TYPE	Vehicle Type Straight Truck
8008A-000	VEHICLE ANGLE OF APPROACH PACKAGE	Vehicle Angle of Approach NFPA Minimum 8.00 Degrees
0104-001	AXLE CONFIGURATION	Axle Configuration 4x2 (Rear Axle Drive Only)
0101-003	GROSS AXLE WEIGHT RATINGS FRONT	GAWR Front 20000#
0102-004	GROSS AXLE WEIGHT RATINGS REAR	GAWR Rear 27000#
8010-201	PUMP PROVISION	Pump Provision Driveline Midship, Pump Mode Prog w/Auto Park Brake "N"
8009-013	WATER & FOAM TANK CAPACITY	Water & Foam Tank Capacity 750 to 1250 Gallons

CAB

1000-013	CAB STYLE	Cab Style EMFD 10" Raised Roof
8101-105	OCCUPANT PROTECTION	Occupant Protection Advanced Protection System
1501-002	CAB FRONT FASCIA	Cab Frt Fascia Classic
1518-025	FRONT GRILLE	Cab Frt Grille Hinged Classic Styled
1551-002	CAB UNDERCOAT	Cab Undercoat
1552-002	CAB SIDE DRIP RAIL	Cab Side Drip Rail
1521-002	CAB PAINT EXTERIOR	Cab Paint Exterior Two Tone
1533-001	CAB PAINT MANUFACTURER	Cab Paint Manufacturer PPG
1522-086	CAB PAINT PRIMARY/LOWER COLOR	Cab Paint Primary/Lower Color PPG Red FBCH 71663
1523-244	CAB PAINT SECONDARY/UPPER COLOR	Cab Paint Sec/Upper Color PPG White FBCH 2185
1524-002	CAB PAINT EXTERIOR BREAKLINE	Cab Paint Exterior Breakline Classic
1515-005	CAB PAINT PINSTRIPE	Cab Paint Pinstripe 1/2" Black Temporary
8013-051	CAB PAINT WARRANTY	Cab Paint Warranty (10) Year/100,000 Miles
1334-045	CAB PAINT INTERIOR	Cab Paint Int Easy-to-Clean Black
1005-001	CAB ENTRY DOORS	Cab Entry Doors (4)
1101-101	CAB ENTRY DOOR TYPE	Cab Entry Door Type Full Length w/Pollak Switches
1322-002	CAB INSULATION	Cab Insulation
8004-030	CAB STRUCTURAL WARRANTY	Cab Structural Warranty (10) Year/100,000 Miles
9001-006	CAB TEST INFORMATION	Cab Test Information Crash Test ECE-R29/SAE J2420/SAE J2422

ELECTRICAL POWER DISTRIBUTION

5000-018	ELECTRICAL SYSTEM	Elec System 12V DC Multiplex
----------	--------------------------	------------------------------

5005-214	MULTIPLEX DISPLAY	MUX Display Weldon VFD Display
5004-002	LOAD MANAGEMENT SYSTEM	Load Management System Multiplex
5622-003	DATA RECORDING SYSTEM	Data Recording Sys Vehicle Data Weldon MUX
5031-007	ACCESSORY POWER	Accessory Pwr & Gnd Stud 40A Batt Dir & 15A Ign Sw & 200A Mstr Sw w/Fus OEM Conn
5030-066	AUXILIARY ACCESSORY POWER	Aux Acc Pwr & Gnd Stud Bhd Sw Pnl 60A Mstr Sw
5032-064	ADDITIONAL ACCESSORY POWER	Addl Acc Pwr 6 Fuse Blue Sea Pnl Eng Tnl Bhd Off Seat w/40A Brkr Batt Dir 4'Loop
5011-001	EXTERIOR ELECTRICAL TERMINAL COATING	Exterior Electrical Terminal Coating Spray On Plasti Dip

ENGINE

1701-158	ENGINE	Engine Diesel 450HP Cummins L9 - EPA 2017
1329-001	CAB ENGINE TUNNEL	Cab Engine Tunnel Small/Medium
1731-002	DIESEL PARTICULATE FILTER CONTROLS	DPF Ctrl Regeneration Sw & Inhibit Sw
1718-002	ENGINE PROGRAMMING HIGH IDLE SPEED	Engine Programming High Idle Speed 1250 RPM
1719-004	ENGINE HIGH IDLE CONTROL	Engine High Idle Ctrl Manual and Automatic
1710-001	ENGINE PROGRAMMING ROAD SPEED GOVERNOR	Engine Programming Road Speed Governor Enabled
1713-010	AUXILIARY ENGINE BRAKE	Aux Engine Brake Compression Brake w/VG Turbo
1708-004	AUXILIARY ENGINE BRAKE CONTROL	Aux Engine Brake Ctrl On/Off & Low/Med/High Sw Pnl
1720-003	ELECTRONIC ENGINE OIL LEVEL INDICATOR	Elec Engine Oil Level Indicator
1715-001	FLUID FILLS	Fluid Fills Fwd For Med Displacement Cap
1735-001	ENGINE DRAIN PLUG	Engine Drain Plug
8002-001	ENGINE WARRANTY	Engine Warranty Cummins (5) Year/100,000 Miles
1707-128	REMOTE THROTTLE HARNESS	Rmt Throttle Harness PSG FRC INControl 300/400 Side Mnt Shift Interlock
1721-001	ENGINE PROGRAMMING REMOTE THROTTLE	Engine Program Rmt Throttle Off
1727-001	ENGINE PROGRAMMING IDLE SPEED	Engine Programming Idle Speed 700 RPM

AIR INTAKE

2801-010	ENGINE AIR INTAKE	Engine Air Intake Filtration and Restriction w/Replaceable Element Abv Radiator
----------	--------------------------	---

COOLING

2704-016	ENGINE FAN DRIVE	Engine Fan Drive Variable Speed
2701-021	ENGINE COOLING SYSTEM	Engine Cooling System Serial Flow w/Package Drop-Out Prov
2711-005	ENGINE COOLING SYSTEM PROTECTION	Engine Cooling System Protection Light Duty Skid Plate Paint Frame Color
2708-001	ENGINE COOLANT	Engine Coolant Extended Life
2706-003	ELECTRONIC COOLANT LEVEL INDICATOR	Elec Low Coolant Level Indicator
2705-002	ENGINE PUMP HEAT EXCHANGER	Engine Pump Heat Exchanger
2709-001	COOLANT HOSES	Coolant Hoses Silicone

2710-005 **ENGINE COOLANT OVERFLOW BOTTLE** Engine Coolant Overflow Expansion Bottle

EXHAUST

2901-067 **ENGINE EXHAUST SYSTEM** Eng Exhaust Sys Under Frm RH Single Module Aftertreatment Outboard
2907-003 **DIESEL EXHAUST FLUID TANK** Diesel Exhaust Fluid Tank LH 6 Gal Fill Thru Rr Step
2902-010 **ENGINE EXHAUST ACCESSORIES** Engine Exhaust Acc Temp Mitigation
2906-002 **ENGINE EXHAUST WRAP** Engine Exhaust Wrap

TRANSMISSION

1801-015 **TRANSMISSION** Transmission Allison 3000 EVS
1806-004 **TRANSMISSION MODE PROGRAMMING** Transmission Mode Programming 6th Startup/6th Mode
1811-004 **TRANSMISSION FEATURE PROGRAMMING** Transmission Feature Programming Allison Gen V-E I/O Package 198/Pumper
1815-002 **ELECTRONIC TRANSMISSION OIL LEVEL INDICATOR** Elec Transmission Oil Level Indicator
1807-005 **TRANSMISSION SHIFT SELECTOR** Transmission GEN V-E Shift Sel Key Pad/Push Button
1814-002 **TRANSMISSION PRE-SELECT WITH AUXILIARY BRAKE** 2nd Gear Pre-Select
1808-007 **TRANSMISSION COOLING SYSTEM** Transmission Cooling System
1817-001 **TRANSMISSION DRAIN PLUG** Transmission Drain Plug
8005-001 **TRANSMISSION WARRANTY** Transmission Warranty Allison (5) Year

POWER TAKE OFF

2005-009 **PTO LOCATION** PTO Location 8:00/4:00

DRIVELINE

3001-014 **DRIVELINE** Driveline MSI 1710 w/Meritor U-Joints w/Thrust Washers
3005-061 **MIDSHIP PUMP / GEARBOX** Midship Pump Jackshaft w/Toyne Module Holes
3008-054 **MIDSHIP PUMP / GEARBOX MODEL** Midship Pump/Gearbox Model Hale QMAX Fwd
3048-005 **MIDSHIP PUMP GEARBOX DROP** Midship Driveline Pump Gearbox Drop Hale "X"
3009-024 **MIDSHIP PUMP RATIO** Midship Pump Ratio 2.32:1 (23)
3010-1015 **MIDSHIP PUMP LOCATION C/L SUCTION TO C/L REAR AXLE** Midship Pump Location C/L Suction to C/L Rear Axle 101.5"

FUEL SYSTEMS

3109-060 **FUEL FILTER/WATER SEPARATOR** Fuel Filter/Wtr Separator Fleetguard FS1098 w/Lt & Alarm
3111-001 **FUEL LINES** Fuel Lines Nylon
3104-001 **FUEL SHUTOFF VALVE** Fuel Shutoff Valve at Primary Filter
3103-008 **ELECTRIC FUEL PRIMER** Electric Fuel Primer Engine Sply Electric Lift Pump
3101-101 **FUEL TANK** Fuel Tank 50 Gallon
3130-001 **FUEL TANK MATERIAL AND FINISH** Fuel Tank Material Steel & Finish Painted Frame Components Color
3131-001 **FUEL TANK STRAP MATERIAL AND FINISH** Fuel Tank Strap Material Steel & Finish Painted Frame Components Color
3102-007 **FUEL TANK FILL PORT** Fuel Tank Fill Port LH Rwd/RH Mid
3115-002 **FUEL TANK DRAIN PLUG** Fuel Tank Drain Plug Magnetic

FRONT AXLE

2401-003	FRONT AXLE	Frnt Axle Meritor MFS 20000# Beam
8059-016	FRONT AXLE WARRANTY	Front Axle Warranty Meritor 2020
2405-001	FRONT WHEEL BEARING LUBRICATION	Frnt Wheel Bearing Lube Oil

FRONT SUSPENSION

2502-002	FRONT SHOCK ABSORBERS	Frnt Shock Absorbers Bilstein
2501-016	FRONT SUSPENSION	Frnt Suspension 10 Leaf 20000-21500#

STEERING

2601-006	STEERING COLUMN/WHEEL	Steering Column/Wheel Tilt/Telescopic 18" 4 Spoke
2609-002	ELECTRONIC POWER STEERING FLUID LEVEL INDICATOR	Elec Power Steering Fluid Level Indicator
2603-011	POWER STEERING PUMP	Power Steering Pump TRW w/Passive Cooler
2606-009	FRONT AXLE CRAMP ANGLE	Front Axle Cramp Angle 48L/44R Degrees
2610-003	POWER STEERING GEAR	Power Steering Gear TRW TAS 65 w/Assist
2608-001	CHASSIS ALIGNMENT	Chassis Alignment

REAR AXLE

3401-003	REAR AXLE	Rear Axle 27000# Meritor RS-25-160
3403-001	REAR AXLE DIFFERENTIAL LUBRICATION	Rear Axle Differential Lubrication Oil
8061-013	REAR AXLE WARRANTY	Rear Axle Warranty Meritor 2020
3411-001	REAR WHEEL BEARING LUBRICATION	Rear Wheel Bearing Lubrication Oil
3408-008	VEHICLE TOP SPEED	Vehicle Top Speed 68 MPH

REAR SUSPENSION

3501-032	REAR SUSPENSION	Rear Susp Reyco 79KB Spring 21000-31500# Conventional
----------	------------------------	---

TIRES

3625-002	TIRE INTERMITTENT SERVICE RATING	Tire Intermittent Service Ratings Acceptable
3601-038	FRONT TIRE	Frnt Tire 315/80R 22.5 Goodyear G289 WHA
3602-043	REAR TIRE	Rear Tire 12R 22.5 Goodyear G622 RSD
3413-538	REAR AXLE RATIO	Rear Axle Ratio 5.38
3614-030	TIRE PRESSURE INDICATOR	Tire Pressure Ind Frnt & Rr LED

WHEELS

3701-037	FRONT WHEEL	Frnt Wheel Alcoa Dura-Bright LvL One 22.5 x 9.00 Alum
3703-028	REAR WHEEL	Rr Whl Alcoa Dura-Bright LvL One 22.5 x 8.25 Alum
3702-002	WHEEL TRIM	Wheel Trim Hub & Nut Covers SS Shiploose

BRAKES

3205-012	BRAKE SYSTEM	Brake System ABS/ATC/ESC Sgl Axle
----------	---------------------	-----------------------------------

3206-001	FRONT BRAKES	Frnt Brakes S-Cam Drum 16.5" x 6"
3207-005	REAR BRAKES	Rr Brakes S-Cam Drum 16.5" x 7" Cast Iron Shoe
3208-001	PARK BRAKE	Prk Brake Rr Wheels Only
3204-029	PARK BRAKE CONTROL	Prk Brake Ctrl LH Tunnel Mnt, Integrated w/Shift Pod Console
3213-001	FRONT BRAKE SLACK ADJUSTERS	Frnt Brake Slack Adjusters Meritor
3214-001	REAR BRAKE SLACK ADJUSTERS	Rr Brake Slack Adjusters Meritor
3202-005	AIR DRYER	Air Dryer Wabco System Saver 1200 Bhd LH Batt Box
3215-001	FRONT BRAKE CHAMBERS	Frnt Brake Chambers MGM Type 30
3210-015	REAR BRAKE CHAMBERS	Rr Brake Chambers TSE 30/36 Long Stroke

AIR SUPPLY SYSTEMS

3320-001	AIR COMPRESSOR	Air Compressor Wabco SS318 18.7 CFM
3339-004	AIR GOVERNOR	Air Governor Mnt on Air Dryer Bracket
3303-007	MOISTURE EJECTORS	Moisture Ejectors Manual/Auto Htd Wet Tank
3307-001	AIR SUPPLY LINES	Air Sply Lines Nylon
3334-002	AIR TANK SPACERS	Air Tank Spacers Inboard 1.5"
3338-001	REAR AIR TANK MOUNTING	Rear Air Tank Mnt Any Bhd Rear Axle Parallel w/Frame

FRAME

2103-1880	WHEELBASE	Wheelbase 188.0"
2106-0470	REAR OVERHANG	Rear Overhang 47.0"
2101-002	FRAME	Frame Double Channel 35.00" Width
8007-030	FRAME WARRANTY	Frame Warranty Lifetime
2111-096	MISC FRAME OPTIONS	Misc Frame Options Toyne Pumper Body Mnt Hole Pattern #1
2117-028	FRAME CLEAR AREA	Frame Clear Area Inside LH Rail 34" To 46" Fwd From C/L of R/A
2110-201	FRAME PAINT	Frame Paint Hot Dipped Galvanized - Frame Only Addl Comp Blk Powder Coat
2170-002	FRAME PAINT - MISCELLANEOUS	Frame Paint Miscellaneous - Gap Sealant

BUMPER

2201-001	FRONT BUMPER	Frnt Bumper Stainless Steel Flat
2202-006	FRONT BUMPER EXTENSION LENGTH	Frnt Bumper Extension Length 24"
2215-002	FRONT BUMPER SUCTION PROVISION	Frnt Bumper Suction Provision 5.0" RH Vertical Outboard
2208-007	FRONT BUMPER APRON	Frnt Bumper Apron For 24" Extension
2237-005	FRONT BUMPER DISCHARGE	Front Bumper Discharge 2.5" LH Frame Mnt Plumbing
2211-003	FRONT BUMPER COMPARTMENT CENTER	Frnt Bumper Cmpt Ctr w/Cover
2210-002	FRONT BUMPER COMPARTMENT COVER HARDWARE	Frnt Bumper Cmpt Cover Hardware Gas Cylinder/D-Ring
5501-020	AIR HORN	Air Horn (2) 21" Round Hadley E-Tone
2216-004	AIR HORN LOCATION	Air Horn Location (2) Frnt Bmpr Face LH
2232-002	AIR HORN RESERVOIR	Air Horn Reservoir (1) 1200 Cu In
5504-060	ELECTRONIC SIREN SPEAKER	Elect Siren Speaker 100W Federal Signal Dynamax w/EF Grille
2217-005	ELECTRONIC SIREN SPEAKER LOCATION	Elec Siren Speaker Location Frnt Bmpr Face RH OB

2203-001 **FRONT BUMPER TOW HOOKS** Frt Bumper Tow Hooks Chrome Below Fwd

CAB TILT

2301-001 **CAB TILT SYSTEM** Cab Tilt System
2303-002 **CAB TILT LIMIT SWITCH** Cab Tilt Limit Sw
2305-001 **CAB TILT CONTROL RECEPTACLE** Cab Tilt Ctrl Receptacle Temp
2306-002 **CAB TILT LOCK DOWN INDICATOR** Cab Tilt Lock Down Indicator

CAB GLASS

1401-009 **CAB WINDSHIELD** Cab Windshield
1402-005 **GLASS FRONT DOOR** Glass Frt Dr Roll Down/XDuty Regulator
1407-001 **GLASS TINT FRONT DOOR** Glass Tint Frt Dr Automotive Green
1419-012 **GLASS REAR DOOR RIGHT HAND** Glass Rr Dr RH Roll Down/XDuty Regulator
1430-001 **GLASS TINT REAR DOOR RIGHT HAND** Glass Tint Rr Door RH Automotive Green
1412-013 **GLASS REAR DOOR LEFT HAND** Glass Rr Dr LH Roll Down/XDuty Regulator
1431-001 **GLASS TINT REAR DOOR LEFT HAND** Glass Tint Rr Door LH Automotive Green
1410-003 **GLASS SIDE MID RIGHT HAND** Glass Side Mid RH Fxd 16"W x 26"H
1432-001 **GLASS TINT SIDE MID RIGHT HAND** Glass Tint Side Mid RH Automotive Green
1409-003 **GLASS SIDE MID LEFT HAND** Glass Side Mid LH Fxd 16"W x 26"H
1433-001 **GLASS TINT SIDE MID LEFT HAND** Glass Tint Side Mid LH Automotive Green

CLIMATE CONTROL

1614-204 **CLIMATE CONTROL** Climate Ctrl Htr Defroster A/C SGM Ovrhd Alum 10-24" RR Short Plenum
1632-002 **CLIMATE CONTROL DRAIN** Climate Control Drain Gravity
1617-201 **CLIMATE CONTROL ACTIVATION** Climate Ctrl Actv Rotary Dash Mnt Ctr
1620-023 **HVAC OVERHEAD COVER PAINT** HVAC Overhead Cover Paint Easy-to-Clean Black
1603-003 **A/C CONDENSER LOCATION** A/C Condenser Location Roof Mnt Fwd Ctr
1601-013 **A/C COMPRESSOR** A/C Compressor TM-31/QP-31
1530-100 **UNDER CAB INSULATION** Under Cab Insulation Engine Tunnel

CAB INTERIOR

1327-001 **INTERIOR TRIM FLOOR** Interior Trim Floor
1302-001 **INTERIOR TRIM** Interior Trim Vinyl
1368-003 **REAR WALL INTERIOR TRIM** Rear Wall Interior Trim Painted Aluminum
1306-006 **HEADER TRIM** Header Trim XDuty
1305-015 **TRIM CENTER DASH** Trim Center Dash XDuty w/Gas Cylinder Stays
1339-102 **TRIM LEFT HAND DASH** Trim LH Dash XDuty
1321-004 **TRIM RIGHT HAND DASH** Trim RH Dash XDuty Glove Cmpt/MDT Prov
1307-002 **ENGINE TUNNEL TRIM** Eng Tnl Trim Flr Mat
5040-101 **POWER POINT DASH MOUNT** Pwr Pnt Dash Mnt Batt Dir (1) Sw Pnl/(2) Dual USB Blue Sea 2.1A Sw Pnl
1303-017 **STEP TRIM** Step Trim Grip Strut Lwr Flex-Tred Mid
1336-002 **STEP TRIM KICKPLATE** Step Trim Kickplate Treadplate

1379-003	UNDER CAB ACCESS DOOR	Under Cab Access Door Rear Step LH Painted
1102-013	INTERIOR DOOR TRIM	Interior Door Trim Painted
1105-001	CAB DOOR TRIM REFLECTIVE	Cab Dr Trim Reflective Vert Stripe/6" Chevron w/Logo
1308-001	INTERIOR GRAB HANDLE "A" PILLAR	Interior Grab Handle 'A' Pillar 11" Molded
1332-008	INTERIOR GRAB HANDLE FRONT DOOR	Interior Grab Handle Frt Door Horiz 9"
1345-002	INTERIOR GRAB HANDLE REAR DOOR	Int Grab Handle Rr Dr Alum Window Span 30" Black Powder Coat
1301-001	INTERIOR SOFT TRIM COLOR	Interior Soft Trim Color Black
1337-004	INTERIOR TRIM SUNVISOR	Interior Trim Sunvisor Vinyl Black
1304-002	INTERIOR FLOOR MAT COLOR	Interior Floor Mat Color Black
1335-024	CAB PAINT INTERIOR DOOR TRIM	Cab Paint Int Dr Trim Easy-to-Clean Black
1371-025	HEADER TRIM INTERIOR PAINT	Header Trim Interior Paint Easy-to-Clean Black
1370-028	TRIM CENTER DASH INTERIOR PAINT	Trim Center Dash Interior Paint Easy-to-Clean Matte Black
1378-027	TRIM LEFT HAND DASH INTERIOR PAINT	Trim LH Dash Interior Paint Easy-to-Clean Matte Black
1373-027	TRIM RIGHT HAND DASH INTERIOR PAINT	Trim RH Dash Interior Paint Easy-to-Clean Matte Black
1369-024	REAR WALL INTERIOR PAINT	Rear Wall Interior Paint Easy-to-Clean Black
1344-002	DASH PANEL GROUP	Dash Pnl Group 3-Pnl
1312-005	SWITCHES CENTER PANEL	Switches Ctr Pnl 12 Upr
1313-028	SWITCHES LEFT PANEL	Switches Left Pnl 10 (6+4) w/Headlight/Dimmer/Wiper
1314-001	SWITCHES RIGHT PANEL	Switches Right Pnl 0

CAB SEATS

1225-018	SEAT BELT WARNING	Seat Belt Warn Indv Seat Loc & LED Display w/VDR Weldon
1237-005	SEAT MATERIAL	Seat Material Durawear Plus
1243-003	SEAT COLOR	Seat Color Black/Red Seat Belts
1249-126	SEAT BACK LOGO	Seat Back Logo Toyne
1201-033	SEAT DRIVER	Seat Driver Bostrom Firefighter 8-Way Elect 500 Series ABTS
1213-025	SEAT BACK DRIVER	Seat Back Driver Non-SCBA ABTS
1219-001	SEAT MOUNTING DRIVER	Seat Mounting Driver
8102-103	OCCUPANT PROTECTION DRIVER	Occupant Protection Driver Advanced Protection System
1202-037	SEAT OFFICER	Seat Officer Bostrom Firefighter Fixed 500 Series ABTS
1214-034	SEAT BACK OFFICER	Seat Back Officer SCBA IMMI SmartDock
1220-002	SEAT MOUNTING OFFICER	Seat Mounting Officer
8103-103	OCCUPANT PROTECTION OFFICER	Occupant Protection Officer Advanced Protection System
1297-002	POWER SEAT WIRING	Power Seats Wiring Battery Direct
1273-001	SEAT BELT ORIENTATION CREW	Seat Belt Orientation Crew Outboard Shoulder To Inboard Hip
1263-001	SEAT REAR FACING OUTER LOCATION	Seat RFO Location (2) R/L
1203-020	SEAT CREW REAR FACING OUTER	Seat Crew RFO Bostrom Firefighter Fixed 500 Series
1215-031	SEAT BACK REAR FACING OUTER	Seat Back RFO SCBA IMMI SmartDock
1221-009	SEAT MOUNTING REAR FACING OUTER	Seat Mounting RFO Rwd 2"
8104-103	OCCUPANT PROTECTION RFO	Occupant Protection RFO Advanced Protection System
1266-001	SEAT FORWARD FACING CENTER LOCATION	Seat FFC Location (2) Ctr
1206-031	SEAT CREW FORWARD FACING CENTER	Seat Crew FFC Bostrom Firefighter Fold & Hold Flip-Up 500 Series

1218-035	SEAT BACK FORWARD FACING CENTER	Seat Back FFC SCBA IMMI SmartDock
8107-102	OCCUPANT PROTECTION FFC	Occupant Protection FFC Advanced Protection System
1269-101	SEAT FRAME FORWARD FACING	Seat Frm Fwd Fcg Dual
1281-101	SEAT FRAME FORWARD FACING STORAGE ACCESS	Seat Frm Fwd Fcg Strg Acc Dr (2) R/L Sd
1224-002	SEAT MOUNTING FORWARD FACING CENTER	Seat Mounting Forward Facing Center
1311-101	CAB FRONT UNDERSEAT STORAGE ACCESS DOOR	Cab Frt Undrst Strg Acc Dr
1355-026	SEAT COMPARTMENT DOOR FINISH	Seat Compartment Door Finish Easy-to-Clean Black

CAB EXTERIOR

1511-200	WINDSHIELD WIPER SYSTEM	Windshield Wiper System
1534-002	ELECTRONIC WINDSHIELD FLUID LEVEL INDICATOR	Electronic Windshield Fluid Level Indicator
1103-002	CAB DOOR HARDWARE	Cab Door Hardware Black Composite
1111-001	DOOR LOCKS	Door Locks Manual
1503-002	GRAB HANDLES	Grab Handles SS 18"
1504-014	REARVIEW MIRRORS	Mirror Aerodynamic Retrac 613305 Rmt Htd
1529-004	REARVIEW MIRROR HEAT SWITCH	Rearview Mirror Heat Sw Mirror Ctrl Pnl
1525-002	EXTERIOR TRIM REAR CORNER	Exterior Trim Rear Corner Scuff Plate
1513-001	CAB FENDER	Cab Fender SS
1514-002	MUD FLAPS FRONT	Mud Flaps Frt
1526-027	CAB EXTERIOR FRONT & SIDE EMBLEMS	Cab Ext Frt & Side Emblems Spartan w/APS

START / CHARGING SYSTEMS

5109-001	IGNITION	Ign Mstr Sw w/Keyless Start
5101-017	BATTERY	Batt (6) Group 31 Napa 7236
5106-003	BATTERY TRAY	Batt Tray (2) R/L Steel
5107-007	BATTERY BOX COVER	Batt Box Cover (2) Steel w/Black Handles
5102-001	BATTERY CABLE	Batt Cables
5108-010	BATTERY JUMPER STUD	Batt Jumper Stud Frt LH Lwr Step 8" Apart
5104-002	ALTERNATOR	Alternator Leece-Neville 320A
5105-001	STARTER MOTOR	Starter Motor Delco

LINE VOLTAGE ELECTRICAL POWER DISTRIBUTION

5202-075	BATTERY CONDITIONER	Batt Cond Kussmaul Auto Charge 40 LPC LH RFO Seat Position
5203-002	BATTERY CONDITIONER DISPLAY	Batt Cond Display LH Mid Glass
3314-077	AUXILIARY AIR COMPRESSOR	Aux Air Cmp Kussmaul Auto Pump 120V RH Under Dash
5209-002	ELECTRICAL INLET LOCATION	Elec Inlet Location LH Cab Side Mid
5204-055	ELECTRICAL INLET	Elec Inlet 120V 20A Auto Eject
5210-005	ELECTRICAL INLET CONNECTION	Elec Inlet Conn to Batt Conditioner & Air Pump
5206-003	ELECTRICAL INLET COLOR	Elec Inlet Color Red

LIGHTING

5301-102	HEADLIGHTS	Headlights 4 Headlamps LED
5303-017	FRONT TURN SIGNALS	Frnt Turn Signals Whelen M6 LED
5337-002	HEADLIGHT LOCATION	Headlights Above Frnt Warn Lts
5336-004	SIDE TURN/MARKER LIGHTS	Side Turn/Marker Lts LED Bumper Mnt
5302-003	MARKER & ICC LIGHTS	Marker & ICC Lts Face Mnt LED Weldon 9186-1500-20
5350-050	HEADLIGHT AND MARKER LIGHT ACTIVATION	Hdlt & Mrkr Lt Actv Rkr Sw/DRL
5308-004	GROUND LIGHTS	Ground Lts Tecniq T44 LED Resp Dr & Rkr Sw
5309-003	LOWER CAB STEP LIGHTS	Lwr Cab Step Lts Tecniq T44 LED
5382-002	INTERMEDIATE STEP LIGHTS	Intermediate Step Lts LED
5403-062	LIGHTBAR PROVISION	Lightbar Prov Wire & Lwr Mnt Spartan Supply
5450-234	CAB FRONT LIGHTBAR	Cab Frnt Ltbar Whelen Freedom F4N72QLED 8R2C Layout 1
5426-002	LIGHTBAR SWITCH	Lightbar Sw Pnl
5317-217	FRONT SCENE LIGHTS	Frnt Scene Lts FRC Spectra MAX 12V LED 28K Contour Mnt
5329-003	FRONT SCENE LIGHT LOCATION	Frnt Scene Lt Loc Ctr Brow Pos
5335-045	FRONT SCENE LIGHTS ACTIVATION	Frnt Scene Lts Actv Rkr Sw Pnl
5306-060	SIDE SCENE LIGHTS	Side Scene Lts Whelen M9 Series 12V LED
5318-004	SIDE SCENE LIGHT LOCATION	Side Scene Lt Loc Upper Mid Rwd 10" Roof Position
5316-003	SIDE SCENE ACTIVATION	Side Scene Actv Indv Sw
5305-166	INTERIOR OVERHEAD LIGHTS	Interior Overhead Lts Weldon LED w/Front Map Lts
5312-003	ENGINE COMPARTMENT LIGHT	Engine Cmpt Work Lt LED (1)

OPTICAL WARNING DEVICES

5406-076	DO NOT MOVE APPARATUS LIGHT	Do Not Move App Lt Flashing Red Whelen Ion LED w/Alarm
5422-001	MASTER WARNING SWITCH	Mstr Warn Sw Pnl
5409-002	HEADLIGHT FLASHER	Headlight Flasher Alternating
5425-018	HEADLIGHT FLASHER SWITCH	Headlight Flasher Sw Pnl
5401-032	INBOARD FRONT WARNING LIGHTS	Inboard Frnt Warn Lts Whelen M6 LED Chrm Bezel
5413-002	INBOARD FRONT WARNING LIGHTS COLOR	Inboard Frnt Warn Lts Color Red
5423-007	FRONT WARNING SWITCH	Frnt Warn Sw Pnl
5404-027	INTERSECTION WARNING LIGHTS	Intersection Warn Lts Whelen M6 LED
5419-002	INTERSECTION WARNING LIGHTS COLOR	Int Warn Lts Color Red
5420-002	INTERSECTION WARNING LIGHTS LOCATION	Intersection Warn Lts Location Bumper Tail Rwd
5402-029	SIDE WARNING LIGHTS	Side Warn Lts Whelen M6 LED
5418-002	SIDE WARNING LIGHTS COLOR	Side Warn Lts Color Red
5412-002	SIDE WARNING LIGHTS LOCATION	Side Warn Lts Location Lwr Mid
5424-008	SIDE AND INTERSECTION WARNING SWITCH	Side & Intersection Warn Sw Pnl

AUDIBLE WARNING DEVICES

5510-004	SIREN CONTROL HEAD	Siren Ctrl Head Whelen 295HFS2
5514-002	STEERING WHEEL HORN BUTTON	Horn Btn Sel Sw Elec Horn/Air Horn

SELECTOR SWITCH

5512-003	AIR HORN AUXILIARY ACTIVATION	Air Horn Actv Strg Whl/RH Ft Sw
5505-002	BACK-UP ALARM	Back-Up Alarm Ecco 575

INSTRUMENTATION

5601-041	INSTRUMENTATION	Instrumentation Standard
5624-001	BACKLIGHTING COLOR	Backlighting Color Red

COMMUNICATIONS SYSTEMS

5701-003	RADIO	Radio Panasonic WB/AM/FM/CD Ovrhd LH
5707-002	AM/FM ANTENNA	AM/FM Antenna LH Fwd Cab Roof
5728-009	CAMERA REAR	Camera HD Rear Box
5731-012	CAMERA DISPLAY	Camera Display LH HD Monitor
5703-011	COMMUNICATION ANTENNA	Comm Ant Base LH Fwd Cab Rf Spartan Sply
5708-003	COMMUNICATION ANTENNA CABLE ROUTING	Comm Ant Cable Routing Under Rkr Sw Pnl
5709-002	AUXILIARY COMMUNICATION ANTENNA	Aux Comm Ant Base RH Fwd Cab Roof Spartan Sply
5710-002	AUXILIARY COMMUNICATION ANTENNA CABLE ROUTING	Aux Comm Ant Cable Routing Under RH Frt Seat
5702-057	TWO-WAY RADIOS	Two-Way Radio Exterior Conduit 1.5" to Under RH Seat
5020-001	PANEL LAYOUT	Panel Layout

ADDITIONAL EQUIPMENT

8814-002	CAB EXTERIOR PROTECTION	Cab Exterior Protection Front
8806-001	FIRE EXTINGUISHER	Fire Extinguisher Shiploose
8807-002	ROAD SAFETY KIT	Road Safety Kit Shiploose
8810-001	DOOR KEYS	Door Keys for Manual Locks (4)
8811-003	DIAGNOSTIC SOFTWARE OCCUPANT PROTECTION	Diagnostic Software Occupant Protection Advanced Protection System

SALES ADMIN

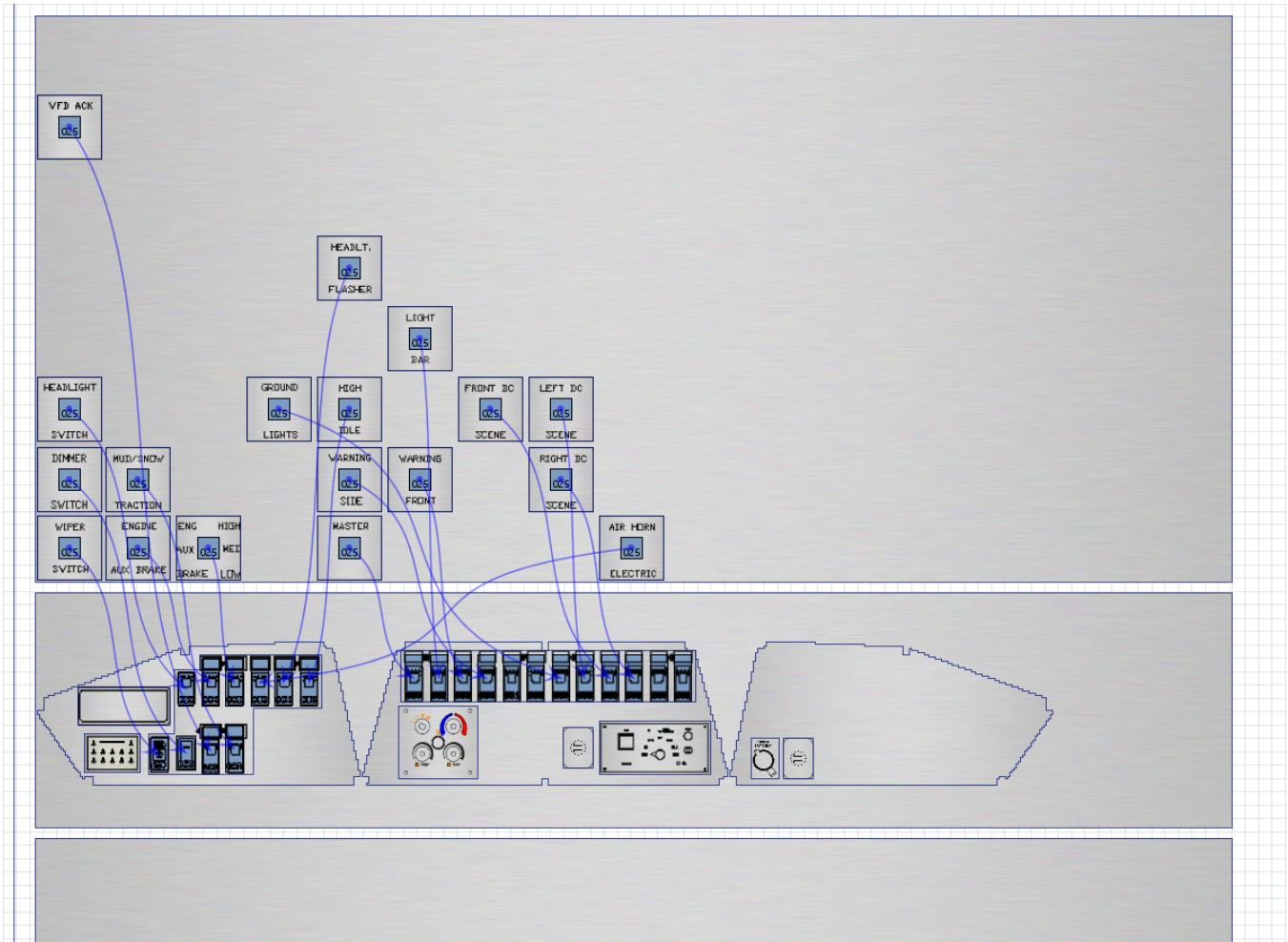
8003-174	WARRANTY	Warranty Cab and Chassis 2020 (2) Year
8030-006	CHASSIS OPERATION MANUAL	Chassis Operation Manual Digital Copy (2)
8031-024	ENGINE & TRANSMISSION OPERATION MANUAL	Eng & Trans Operation Man Eng Hard Copy/Trans Digital/Eng Owner Digital
8805-007	CAB/CHASSIS AS BUILT WIRING DIAGRAMS	Cab/Chassis As Built Wiring Diagrams Digital Copy (2)
8039-001	SALES TERMS	Sales Terms

ENGINEERING

9005-003	DRIVELINE LAYOUT CONFIRMATION	Driveline Layout Confirmation Completed
----------	--------------------------------------	---

Panel Layout

5020-001 Panel Layout

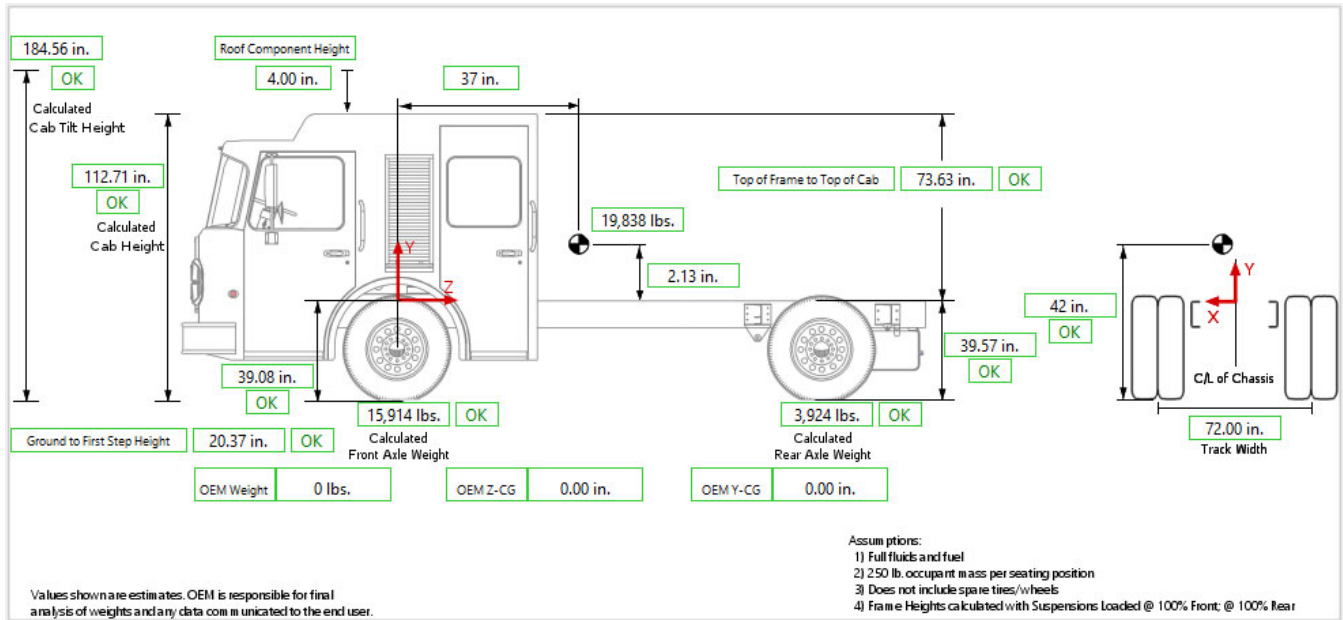


Option Description

SW PNL CENTER 12 SW UPR 2010 94"
 CLIMATE CTRLS CTR DASH ABS ROTARY SGM S180
 PWR POINT DASH MNT BATT DIR 10.5 W DUAL USB SW PNL
 SIREN CONTROL HEAD WHELEN 295HFS2
 SEAT BELT WARN ADDITIONAL WELDON SEAT BELT INDICATOR MODULE 2010
 SWITCH PANEL LH (10) [6+4] SWITCHES 2010
 MUX DISPLAY - VFD DISPLAY
 PWR POINT DASH MNT (2) BATT DIR
 DUAL USB 10.5 WATT POWER POINT DASH MNT BATT DIR (3)
 WINDSHIELD WIPER SYSTEM SINGLE MOTOR
 AUX ENGINE BRAKE CONTROL ON/OFF & HIGH/MED/LOW SWITCH PANEL
 AUX ENG BRK CTRL ON/OFF SW PNL SWPN (-010)
 ENGINE HIGH IDLE CONTROL RKR SWITCH
 BRAKE SYSTEM TYPE ATC RKR SW 'MUD/SNOW TRACTION
 MUX DISPLAY VFD ACKNOWLEDGE SWITCH
 GROUND LTS RKR SW MUX
 RIGHT DC SCENE
 LEFT DC SCENE
 FRONT SCENE LIGHT ACTIVATION ROCKER SWITCH PANEL
 HDLT & MRKR LT RKR SW 94/96
 HDLT & MRKR LT ACTV DIMMER SW
 MSTR WARN SW PNL 'MASTER

FRONT WARN SW
WARNING SIDE SWITCH
HEADLIGHT FLASHER SW
LIGHTBAR SWITCH PANEL -MUX (-010 SW)
HORN RING SEL SW ELEC HORN/AIR HORN
LEGEND LOCATION

Weight Distribution

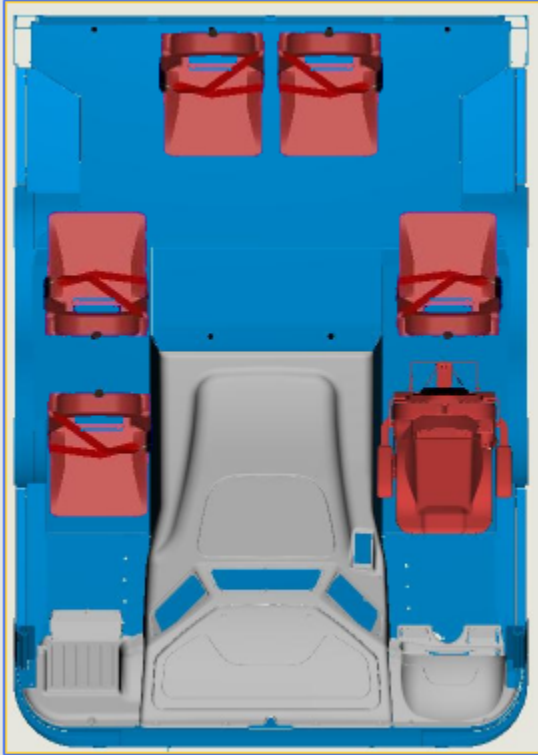


Calculated Apparatus Weight 19,838 lbs.
 Calculated Apparatus Z-CG 37 in.
 Calculated Apparatus Y-CG 2.13 in.

Note:

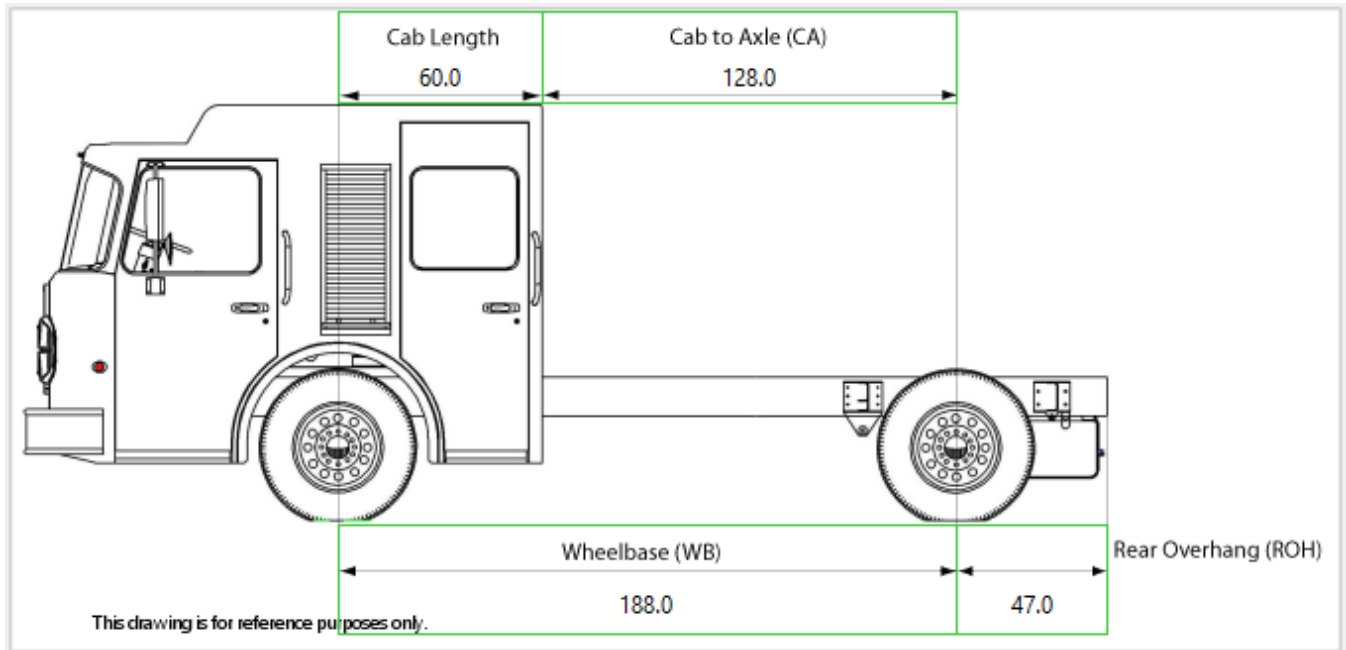
The Y-CG value above is calculated from the top of the frame.
 Apparatus refers to total combined value for cab and chassis and OEM inputs.

Seat Locations



This drawing is for reference purposes only.

Frame Dimensions





QUOTATION

Quote No: 10005-0002
05/11/2021

DESCRIPTION	QTY	ID
== '16 PRV Pumper - 0.000 ==	1	TOY
QW V10 UPDATE	1	TOY
QW RELEASE **updated ms 111620	1	TOY
QW History Demo 12810 PRV-M	1	TOY
No special file on this unit	1	TOY
	1	TOY
BID INFO	1	TOY
Corporate Ownership of Manufacturer	1	TOY
Corporate Contact Information	1	TOY
First Class # 1 Quality Fire Apparatus.	1	TOY
NO HEIGHT OR LENGTH REQUIREMENT ON THIS APPARATUS	1	TOY
NFPA 1901- 2016 STANDARDS (with rated pump)	1	TOY
Certification of NFPA compliance 2016	1	TOY
NFPA required misc equipment	1	TOY
Maximum vehicle top speed	1	TOY
Spartan chassis 16 PRV	1	TOY
Spartan Metro Star custom cab - single axle	1	TOY
Spartan Metro Star EMFD 10" raised roof 77.1/60 + bumper	1	TOY
6 seated positions (NO SPEC)	1	TOY
Spartan Metro Star single axle chassis components (no spec)	1	TOY
24" front bumper extension (NO SPEC)	1	TOY
Standard Spartan front bumper	1	TOY
Cummins ISL-9 450 hp. (no spec-internal Toyne only)	1	TOY
PRV 20,000 front axle 27,000 rear axle 17" drop.	1	TOY
Leaf spring style rear suspension. (no spec)	1	TOY
MISC. CAB OPTIONS - PUMPER (click blue box)	1	TOY
TOYNE MIDSHIP PUMP SYSTEM - PRV	1	TOY
PUMP SYSTEM COMPONENTS - PRV	1	TOY

DESCRIPTION	QTY	ID
Hale QMAX Midship Pump System - PRV	1	TOY
Hale Q-MAX 1750 GPM Single Stage PRV	1	TOY
Hale PRO-TECH 5 year warranty. 2 yr parts and labor and 5 yr parts only (STD).	1	TOY
Standard Underwriter's Laboratories Certification.	1	TOY
1750 GPM single stage pump performance.	1	TOY
Hale "Q-Max/Q-Two" pump construction.	1	TOY
Std. Hale Q gearbox (Engine must be 500 hp or less)	1	TOY
Hale NFPA 2106 interlock module.	1	TOY
Hale Q gearcase cooling line.	1	TOY
Hale Q mechanical seal.	1	TOY
Sacrificial pump inlet/dis anodes (3 total)	1	TOY
FRC In Control 400 Pressure Governor (hand knob)	1	TOY
TFT A18 Intake Relief Valve	1	TOY
Intake relief valve 125 psi pre-set.	1	TOY
Intake relief valve NST termination at valve	1	TOY
Universal air/electric pump shift. commercial chassis	1	TOY
No manual override pump shift.	1	TOY
Trident automatic air priming system PRV	1	TOY
Primer mode switch	1	TOY
Single priming location	1	TOY
Pressure protection valve	1	TOY
Chassis provided heat exchanger	1	TOY
Universal master pump drain.	1	TOY
ICI "Lever Lift" bleeder drain valves	1	TOY
Low point auto-drains.	1	TOY
CHASSIS PROVIDED driveline modifications	1	TOY
No drive shaft drop guard	1	TOY
6" master intake on left for Hale Q pump. PRT	1	TOY
LH master intake steamer type - no valve.	1	TOY
LH intake STD length - no spec	1	TOY
LH master intake 6" chrome cap	1	TOY
6" master intake on right Hale Q pump. PRT	1	TOY
RH master intake steamer type - no valve.	1	TOY
RH intake STD length - no spec	1	TOY
RH master intake 6" chrome cap	1	TOY
6" front bumper intake Hale Q. ADDITIONAL COSTS	1	TOY
Hale MIV master intake valve for front intake - Hale Q.	1	TOY
Hale MIV manual backup - front intake.	1	TOY
Front MIV 3/4" drain valve	1	TOY
Front MIV 1/4" bleeder valve	1	TOY
Front pre-priming valve for pump. gen	1	TOY
No supplementary frt primer suction location	1	TOY
Chassis provided front intake piping.	1	TOY
Front intake chrome plated swivel (Trident)	1	TOY
No preconnected hard suction.	1	TOY
STD frt intake height	1	TOY
Chassis provided framerrail extension. SPARTAN CHASSIS	1	TOY
Chassis provided apron/gravelshield.	1	TOY
Front master intake 6" chrome cap	1	TOY

DESCRIPTION	QTY	ID
Hale TRV-L 120 auto therm valve w ind light DUMP TO TANK PRT/MR	1	TOY
Tank refill/recirculation line PRV-M	1	TOY
2" refill/recirc valve piping	1	TOY
Manually controlled from pump panel p/t	1	TOY
Stainless Steel Piping PRT	1	TOY
Stainless steel piping 10 year warranty	1	TOY
Victaulic style fitting/couplings. (STD)	1	TOY
Vented Lug Caps and Plugs (VLC)	1	TOY
NO SPECIAL DISCHARGE/2.5" INTAKE THREADS	1	TOY
Left side forward auxiliary intake. FWD INT (cast) +++PRV-M	1	TOY
Aux intake valve/piping 2 1/2" LH FRT	1	TOY
Aux intake manually controlled from intake location. LH FWD	1	TOY
LH FWD 2.5" int connection 2.5" FNST swivel w plug NST	1	TOY
LH FWD aux intake 3/4" bleeder/drain valve	1	TOY
Foam Pro 2001 Class A (additional costs). PRV	1	TOY
Low foam tank level switch for A foam tank.	1	TOY
Foam Pro 1-tank Schematic Placard.	1	TOY
Foam Pro model 2001 rating placard.	1	TOY
No foam tank refill system	1	TOY
No foam system flush valve	1	TOY
Foam capable dis for Dis Pkg for PRT	1	TOY
PRV-M AUX INTAKE AND DISCHARGE PKG	1	TOY
Right (officer's) side 2.5" discharge(s) rear location NG14 PRV-M	1	TOY
Manually controlled from pump panel PRV-M	1	TOY
RH 2.5" dis. to have elbow. MNST	1	TOY
RH 2.5" dis. connection 2.5" cap/chain. NST	1	TOY
Std pressure gauge - no spec.	1	TOY
Right (officer's) side 4" discharge forward location NG14 PRV-E&M	1	TOY
Akron 9335 Navigator Pro FLOW/PRESSURE METER w electric control 4" RH FWD	1	TOY
RH 4" dis. to have NO chrome elbow. STRAIGHT OUT.	1	TOY
RH 4" dis. connection 4" x 5" Storz elbow w cap/chain.	1	TOY
Left (drivers) side 2.5" discharge(s) rear location PRV-M	1	TOY
Manually controlled from pump panel LH REAR PRV-M	1	TOY
LH REAR 2.5" dis. to have elbow.	1	TOY
LH REAR 2.5" dis. connection 2.5" cap/chain.	1	TOY
Std pressure gauge - no spec.	1	TOY
PRV-M-XL rear 2 1/2" discharges - one ea side. **XL BODY ONLY**	1	TOY
Rear -Right (pass) side 2.5" discharge(s) PRV-M-XL	1	TOY
Manually controlled from pump panel RH REAR PRV-M	1	TOY
Rear - Right 2.5" dis. to have chrome elbow. NST	1	TOY
Rear -Right 2.5" dis. connection NO CAP/CHAIN.	1	TOY
RH REAR 2.5" FOAM CAPABLE.	1	TOY
Std pressure gauge - no spec.	1	TOY
Rear - Left (driver') side 2.5" discharge(s) PRV-M-XL	1	TOY
Manually controlled from pump panel LH REAR PRV-M	1	TOY
Rear - Left 2.5" dis. to have chrome elbow. NST	1	TOY
Rear - Left 2.5" dis. connection NO CAP/CHAIN.	1	TOY
Discharge not foam capable	1	TOY
Std pressure gauge - no spec.	1	TOY
PRV-M (2) 1 3/4" with trays 200' 1 3/4" or 2".	1	TOY

DESCRIPTION	QTY	ID
Removable poly trays for (2) 1 3/4" speedlays PRV	1	TOY
Manually controlled from pump panel 1 3/4" xlay PRV-M	2	TOY
Std pressure gauge - no spec.	2	TOY
3/4" manual drain valves for 1 3/4" crosslays	2	TOY
3" monitor discharge - NO MONITOR PRV-E&M	1	TOY
Akron 9335 Navigator Pro FLOW/PRESSURE METER w electric control 3" MON	1	TOY
Akron Deckmaster 3440 electric monitor PRV	1	TOY
NO STACKED TIPS	1	TOY
NO STREAM SHAPER	1	TOY
Akron 5177 master stream noz. 250-1250gpm Electric (2 1/2" thread)	1	TOY
Tether control for Akron Deskmaster - 30'	1	TOY
NO POSITION INDICATING - OBSTRUCTION AVOIDANCE SYSTEM	1	TOY
Monitor not stowed indicator in cab (door ajar light)	1	TOY
2.5" front bumper discharge. ADDITIONAL COST/DEDUCTS PRV-M	1	TOY
Spartan chassis 2 1/2" (Chassis provided piping -use Sparcon 2237-005)	1	TOY
Manually controlled from pump panel FRT BUM 2.5" PRV-M	1	TOY
FRT BUM 2 1/2" FOAM CAPABLE.	1	TOY
Std pressure gauge - no spec.	1	TOY
FRT BUM 2 1/2" discharge to have 2 1/2" MNST thread.	1	TOY
Chassis provided framerail extension.	1	TOY
Chassis or other option provided gravelshield.	1	TOY
Chassis or other option provided hosewell	1	TOY
Chassis or other option provided hosewell hose restraint	1	TOY
Hosewell flooring - Turtle Tile.	1	TOY
Turtle Tile will be black	1	TOY
Fr. bumper dis connection swivel outside compt. Chrome plated	1	TOY
No swivel stop	1	TOY
Front bumper discharge connection on driver's side.	1	TOY
Fr. bumper 2.5" dis. conn NO CAP/CHAIN.	1	TOY
No air blow out for frt discharge.	1	TOY
NO HEAT PAN - NO SPEC	1	TOY
NO PUMP COMPARTMENT HEATER - NO SPEC	1	TOY
PRV/SAM DFW pump panel location (brushed stainless steel)	1	TOY
Innovative Controls push/pull controls for PRV-M	1	TOY
Cable operated linkages PRV-M	1	TOY
U.L. pump test connections	1	TOY
Innovative Controls SL Plus tank gauge on pump panel.	1	TOY
No tank level audible indicator.	1	TOY
No mini cab tank level gauge -ICI	1	TOY
No ICI SL Plus rear tank level gauge-ICI	1	TOY
No ICI SL MONSTER rear tank level gauge-ICI	1	TOY
No ICI SL Plus RH tank level gauge-ICI	1	TOY
No ICI SL MONSTER RH tank level gauge-ICI	1	TOY
No ICI SL Plus LH tank level gauge-ICI	1	TOY
No ICI SL MONSTER LH tank level gauge-ICI	1	TOY
Tank gauge park brake disable	1	TOY
Innovative Controls SL Plus "A" foam tank gauge on pump panel.	1	TOY
No A mini-gauge in cab	1	TOY
ICI pressure gauges (US)	1	TOY
Pressure gauge size - 2 3/4" diameter ICI	1	TOY

DESCRIPTION	QTY	ID
Pressure gauge face white with black numbers	1	TOY
Std non lighted pressure gauges - NO SPEC	1	TOY
Pressure gauge - control handle alignment	1	TOY
Pressure gauge labeling	1	TOY
Pressure gauge warranty.	1	TOY
PRV-M pump related components	1	TOY
Air horn button on pump panel.	1	TOY
No reflective background.	1	TOY
Innovative Controls ID labels STD VERBIAGE/COLORS	1	TOY
No color coded trim rings for Akron Navigator controls	1	TOY
United Plastic Fabrication, Inc Booster Tank PT3. PRV	1	TOY
1,000 Gallon UPF/PPA poly tank PRV	1	TOY
12" x 12" booster tank fill tower - Left side front	1	TOY
4" tank overflow	1	TOY
1" tank sump drain	1	TOY
3" tank sump clean out plug	1	TOY
25 gallon Class A tank PRT	1	TOY
Class A foam tank integrated into main booster tank	1	TOY
2 1/2" rear tank fill. (truck with rear compt)	1	TOY
Rear fill located on the right (pass) side.	1	TOY
Akron manual 8825 valve. 2.5" tank fill(s) (valve in rear compt).	1	TOY
Rear tank fill 2 1/2" FNST thread connection.	1	TOY
Alum tread piping/valve shield.	1	TOY
Bleeder drain	1	TOY
3" tank to pump - PRV-E&M	1	TOY
Akron 9327 Navigator Pro electric control (tank to pump).	1	TOY
Tank to pump line check valve	1	TOY
Hot Dipped Galvanized tank cradle/sub structure	1	TOY
HDG Tank cradle/body structure warranty - 20 year	1	TOY
"Hyper-Flex" body mounts-Proposal	1	TOY
PRV APPARATUS BODY - WELDED STAINLESS STEEL.	1	TOY
Body to be 3CR12 ss - no spec.	1	TOY
Welded SS - ss compt floors.	1	TOY
Welded SS - compt walls/body sides	1	TOY
Welded SS - compt tops/ceilings	1	TOY
Welded SS - fenderwell	1	TOY
Fenderwell finish painted - no alum tread - bolted on panels	1	TOY
Welded SS - removable fender liner	1	TOY
Removable fender liner - no exception	1	TOY
Welded SS - ss fenderette	1	TOY
Fenderette replaceable no exceptions	1	TOY
Standard compartment ventilation with metal covers.	1	TOY
Compartment top alum treadbrite overlay. NON-NFPA	1	TOY
All side compt doors ROLL UP type ROM Series IV PRV	1	TOY
ROM Series IV roll up compartment door description. SATIN FINISH PRV	1	TOY
STD bottom rail.	1	TOY

DESCRIPTION	QTY	ID
No roll up door pull straps	1	TOY
No roll up door shrouds	1	TOY
No roll up door keyed locks	1	TOY
Magna-Gard coated stainless steel bolts	1	TOY
PRV COMPARTMENTS	1	TOY
PRV-XL 212" compartmentation - single axle 128" ca	1	TOY
PRV narrow hosebed 91.56" rear step to top of body not inc coffin doors.	1	TOY
PRV-XL 212" LH compts.	1	TOY
PRV-XL 212" RH compts	1	TOY
PRV-XL 212" rear compt	1	TOY
PRV-XL 212" forward trans compt. (2 xlays, backboard, stokes)	1	TOY
Trans compt/xlay door encloses the side intake/discharges	1	TOY
PRV-XL 212" 480 cubic ft compt storage.	1	TOY
PRV-XL 212" Coffin compt above side compts both side 123 cu ft.	1	TOY
LH Coffin compartment lighting - 48" (1)	1	TOY
RH Coffin compartment lighting - 48" (1)	1	TOY
NFPA aluminum treadbrite rear step - (Leg/Prv-xl)	1	TOY
13.5" depth rear step - (Leg/Prv-xl)	1	TOY
Recessed step no exception	1	TOY
Std. Extruded alum. rubrail	1	TOY
Rubrail ends - EPDM black.	1	TOY
No compt opening sill plates	1	TOY
APPARATUS BODY COMPONENTS - PRV	1	TOY
Hosebed for midship pumper. PRV	1	TOY
PRV-XL 212" hosebed capacity	1	TOY
No hosebed flooring in front of bulkhead divider.	1	TOY
Alum.hosebed divider(s) WITH HANDHOLD CUT OUT	2	TOY
Permanent hosebed cover support/hose divider	1	TOY
Hose bed cover - aluminum treadbrite PRV	1	TOY
Hosebed cover open indication in cab. (manual)	1	TOY
Hose bed cover endflaps	1	TOY
Hose bed cover end covers RED	1	TOY
Footman loops/Velco straps to secure hosebed end cover	1	TOY
Two 48" ILI LED track type lights - One side.	1	TOY
Bulkhead divider front of hosebed (not a storage area)	1	TOY
Through the tank storage system (additional costs) PRV-XL 212	1	TOY
Ladder storage "through tank". PRV	1	TOY
Storage for four pike poles in ladder tunnel	1	TOY
Ladder compartment door - aluminum treadbrite	1	TOY
Duo-Safety 900 24' 2 sect alum ladder	1	TOY
Duo-Safety 775A 14' alum roof ladder	1	TOY
Duo-Safety 585A 10' alum folding attic ladder	1	TOY
Duo-Safety 24', 14', & 10' ladder pkg.	1	TOY
Hard Sucts slid in from rear COFFIN COMPT BOTTOM PRV-XL RH	1	TOY
Two PVC 6" x 10' hard suction hoses.	1	TOY
Hard suction couplings LH FNST x RL MNST	1	TOY
Hard suction brand - Kocheck	1	TOY

DESCRIPTION	QTY	ID
NO SUCTION STRAINER - 6"	1	TOY
OPT INTERIOR COMPT - EXTERIOR BODY ITEMS (click blue box) PRV	1	TOY
DUAL aluminum adjustable shelf track PER COMPT.	1	TOY
18/26 Alum (3/16") compt. shelf \$\$ per shelf	10	TOY
Random orbit sanded finish 24/26 shallow shelves.	10	TOY
Turtle Tile on compt shelf - 24/26	10	TOY
NO RELECTIVE STRIPE ON SHELF FRT EDGE	10	TOY
Chassis to have SCBA seats (custom)	1	TOY
Chassis provided SCBA seat brackets	1	TOY
WHEEL COWEL COMPARTMENTATION - PRV	1	TOY
Driver side front of axle 3 cylinder storage compt.	1	TOY
Driver side rear of axle 2 cylinder storage compt. (1 door for SCBA & fuel fill)	1	TOY
Pass side front of axle 3 cylinder storage compt.	1	TOY
Pass side rear of wheel oil dry compartment bin - roll out.	1	TOY
Wheel well compts BRUSHED finish ss doors.	1	TOY
Wheel cowel SCBA cylinder retention straps	1	TOY
Turtle Tile High side/high side	1	TOY
Black Turtle Tile	1	TOY
No Turtle Tile edge ramps	1	TOY
Slidemaster SM3-MP roll out 600 lb 100% ext. Alum tray.	5	TOY
SM3-MP std latch	5	TOY
Turtle Tile on roll tray.	5	TOY
No reflective stripe on frt of tray.	5	TOY
Zico RL15-2-6 rear ladder (2bottom steps fold up - 6 upper steps 15" wide.) PRV	1	TOY
Rear access ladder on LEFT side.	1	TOY
Rear access ladder landing area (26" usable depth compt only)	1	TOY
No 'ladder ajar' indicator system.	1	TOY
NFPA extruded aluminum "Knurled" handrails	1	TOY
Vertical Handrail on rear LH side	1	TOY
Vertical Handrail on rear RH side	1	TOY
LH 12" horizont.grab handle rear of bed	1	TOY
Std LH upper rear grabrail mounting location (no spec)	1	TOY
Intermediate rear grab rail.	1	TOY
12 Volt Electrical System/Custom chassis PRV NEW	1	TOY
12 v electrical system pkg parts	1	TOY
NFPA minimum electrical load definition	1	TOY
12 V. reserve capacity test	1	TOY
Alternator performance test at idle	1	TOY
Alternator performance test at full load test	1	TOY
Test conditions	1	TOY
12 volt wiring system	1	TOY
V-MUX multiplexed electrical system. Custom chassis	1	TOY
No VMUX downloader/diagnostics software kit	1	TOY
Vmux warranty 1 yr full - 4 year parts	1	TOY
Auto-high idle using VMUX programing only.	1	TOY

DESCRIPTION	QTY	ID
Rear LED License plate light/bracket	1	TOY
No front license plate mount	1	TOY
Clearance lights L.E.D.'s	1	TOY
Side turn signal LED low profile.	1	TOY
No rear rubber arm style extended clearance lights.	1	TOY
(2) LED pump compartment lights	1	TOY
Chassis supplied pump compt wire harness	1	TOY
MISC 12/110 VOLT ELECTRICAL ITEMS (click blue box) PRV	1	TOY
ILI- LED track light 2 vertical ea compt	1	TOY
Apparatus body compartment light magnetic switches.	1	TOY
Chassis provided door ajar indicator CUSTOM CHASSIS ONLY.	1	TOY
No wheelwell compt door ajar system	1	TOY
LED ground lighting - TOYNE DOES BODY 4" LED (TecNiq T44) CHASSIS BY SPARTAN	3	TOY
Apparatus body step lighting. With pump.	3	TOY
Ground/step lighting cut off switch in cab.	3	TOY
Air brake pressure source on other option or chassis provided.	1	TOY
Chassis provided battery charger	1	TOY
Shoreline connection installed by chassis manufacturer.	1	TOY
Whelen M6 LED S/T/T w LED backup 4x6". Quad--Cluster.	1	TOY
M6 Quad--Cluster chrome housing.	1	TOY
Backup lights to function with park brake.	1	TOY
Chassis provided backup alarm	1	TOY
Backing collision avoidance not required.	1	TOY
Backing collision avoidance not required.	1	TOY
Custom chassis - switches provided on chassis (non print)	1	TOY
Chassis provided lightbar	1	TOY
Whelen M6 Lower Warning Pkg-Custom chassis. PRV	1	TOY
Chassis provided front grille lights.	1	TOY
Chassis provided intersection lights.	1	TOY
Chassis provided mid-section lights.	1	TOY
M7R LED side facing rear lights one ea side - red.	1	TOY
M7 Lower BD rear chrome housing.	1	TOY
M6R LED lower rear facing lights (2) - red.	1	TOY
M6 Lower C chrome housing.	1	TOY
Whelen M9 Series upper B,D & C warning lights (upgrade color)	1	TOY
Whelen M9 Series upper B-D warning lights (choose colors)	1	TOY
Whelen Upper "B/D" M9R red/red L.E.D.'s 2 ea side	1	TOY
M9 upper BD rear chrome housing.	4	TOY
Whelen M9 Series upper C warning lights (choose colors)	1	TOY
Whelen Upper "C" M9R red/red L.E.D.'s (2)	1	TOY
M9 upper C rear chrome housing.	2	TOY
Chassis provided electronic siren.	1	TOY
Chassis provided speaker(s).	1	TOY
Air horns provided with chassis	1	TOY
Air horn actuation provided with chassis.	1	TOY
OPT 12 VOLT SCENELIGHTING (click blue box) PRV	1	TOY

DESCRIPTION	QTY	ID
No 12 volt brow light	1	TOY
No 12 volt light mast.	1	TOY
Whelen Pioneer 12v. LED scenelights (additional cost) PRV	1	TOY
Whelen PCPSM2C Pioneer scene/spot LED surface mt chrome trim 12v. LH	2	TOY
Whelen PCPSM2C Pioneer scene/spot LED surface mt chrome trim 12v. RH	2	TOY
Whelen PCPSM1C Pioneer scene/spot LED surface mt chrome trim 12v. REAR	2	TOY
RH/LH/Rear individual 12v scenelights - 3 switches - cab console	1	TOY
Rear and side scenelight(s) function in reverse	1	TOY
No 120/240 generator on this unit.	1	TOY
Mount (1) chassis provided backup camera on rear of apparatus (Spartan)	1	TOY
No add-ons to Spartan provided system.	1	TOY
Helmet mounting responsibility of Department.	1	TOY
Paint Procedure/welded bodies. PRV	1	TOY
No detailed paint process description	1	TOY
Apparatus body painted off the chassis	1	TOY
Paint warranty - 10 years DETAILED	1	TOY
ECK Corrosion Control material	1	TOY
Single color apparatus body paint (non-metalic)	1	TOY
Apparatus body undercoating.	1	TOY
Gray "Texture" finish compt interiors	1	TOY
Chassis provided with aluminum rims - single axle.	1	TOY
Nut covers, top hats, etc provided with chassis (or not wanted).	1	TOY
CHASSIS PROVIDED TIRE PRESSURE IND/MONITORING SYSTEM	1	TOY
Dealer provided/installed lettering	60	TOY
8" reflective stripe	1	TOY
Primary reflective stripe 680-10 white	1	TOY
Reflective stripe applied in a HOCKEY STICK design Single stripe	1	TOY
CHASSIS PROVIDED INNER DOOR LINER REFLECT MATERIAL	1	TOY
No cab door inner panel warning light.	1	TOY
No reflective stripe on rubrail	1	TOY
MISC STRIPING, GRAPHICS, DECALS (click blue box)	1	TOY
1/4" black pin stripe on top/bottom of refl. stripe SINGLE	1	TOY
Chevron red/fluorescent yellow green reflective	1	TOY
NO REAR COMPARTMENT DOOR CHEVRONS	1	TOY
Custom chassis fuel tank access panel .	1	TOY
Chassis to have horizontal exhaust as provided with chassis.	1	TOY
Custom chassis rear wheel cowel fuel fill. (Additional cost)	1	TOY
Driver's side fuel fill.	1	TOY
LH rear wheel cowel fuel fill - brushed stainless.	1	TOY
No pass side fuel fill	1	TOY
NO REAR EXTERIOR CAB WALL COVERING	1	TOY
Mudflaps (additional costs)	1	TOY
NO FRONT MUDFLAPS PROVIDED BY TOYNE	1	TOY
STD. rear mudflaps Toyne logo	1	TOY
NO TIRE CHAINS REQUIRED	1	TOY
Receiver hitches PRT	1	TOY

DESCRIPTION	QTY	ID
Rear receiver hitch for winch	1	TOY
RH Pass. receiver hitch for winch	1	TOY
No front receiver hitch for winch	1	TOY
Winch receiver 2.0 to 1 safety factor	1	TOY
LH Driver receiver hitch for winch	1	TOY
Std. Rear tow eyes.	1	TOY
PLACARDS, LABELS, ETC - NFPA 2016 (Spartan w pump) (USA)	1	TOY
FAMA 01 Battery dangers label (USA)	1	TOY
FAMA 02 Rotating shafts label (USA)	1	TOY
FAMA 03 Hot surface dangers label (USA)	1	TOY
FAMA 04 Hot Exhaust dangers label (USA)	1	TOY
FAMA 05 Spinning engine fan label (USA)	1	TOY
FAMA 07 Seated and Belted Label NFPA (USA)	1	TOY
FAMA 09 Air Conditioning Refrigerant Danger Label (USA)	1	TOY
FAMA 10 Interior cab equipment mounting label NFPA (USA)	1	TOY
FAMA 11 SCBA seat insert warning label. (USA)	1	TOY
FAMA 12 Fire Service Tire Rating label. NFPA (USA)	1	TOY
FAMA 13 Electronic Stability Control label. (if required) (USA)	1	TOY
FAMA 14 Cab seating maximum # of personnel label. (USA)	1	TOY
FAMA 15 Do not wear helmet in cab label. NFPA (USA)	1	TOY
FAMA 17 Operation in reverse label. (USA)	1	TOY
FAMA 18 Intake and discharge cap pressure warning label. (USA)	1	TOY
FAMA 19 Do not mix brands/type of foam warning label. (USA)	1	TOY
FAMA 22 Hose restraint warning label. NFPA (USA)	1	TOY
FAMA 23 Proper apparatus boarding/ext procedure label. NFPA (USA)	1	TOY
FAMA 24 Riding on rear step prohibited warning label. NFPA (USA)	1	TOY
FAMA 25 Operation by trained personnel only label. (pump panel) NFPA (USA)	1	TOY
FAMA 26 No Step warning label. (USA)	1	TOY
FAMA 26 No Step warning label. Compartment tops (USA)	1	TOY
FAMA 26 No Step warning label. Hosebed cover (USA)	1	TOY
FAMA 26 No Step warning label. Front bumper ext (USA)	1	TOY
FAMA 41 Cab tilt warning label (USA)	1	TOY
FAMA 42 Siren noise warning label (USA)	1	TOY
Tank fill rate label	1	TOY
Fluid Capacity Label - 2016	1	TOY
Length - height - weight Label (2016)	1	TOY
NFPA foam system performance specification label - (injection) 20.9.3	1	TOY
Pump tests/certifications/documentation	1	TOY
Pump certifications	1	TOY
NFPA Foam system test/certification - injection type.	1	TOY
Optical - 12v. certifications	1	TOY
NFPA Optical warning light system certification	1	TOY
NFPA Siren certification	1	TOY
NFPA 12v. electrical system performance test certification	1	TOY
Body certifications	1	TOY
Tank certifications, etc. UPF	1	TOY
NFPA Water tank capacity certification	1	TOY

